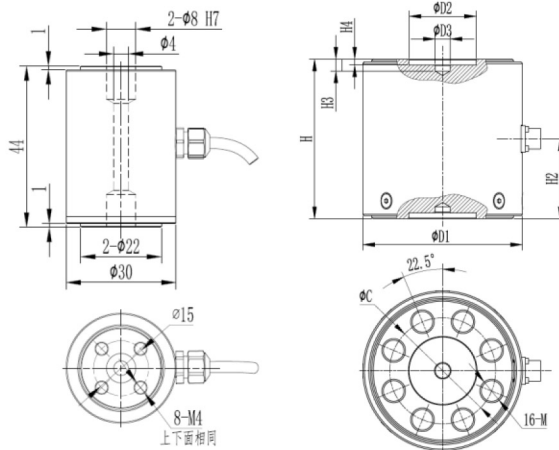




T903C

◆ 安装尺寸/Mounting Dimension



0~10N.m

20~10000N.m

◆ 特点与用途/Features & Applications

- 静态扭矩传感器
- 结构紧凑便于安装
- 防护等级: IP65
- 用于静态, 非连续旋转的扭矩值测量

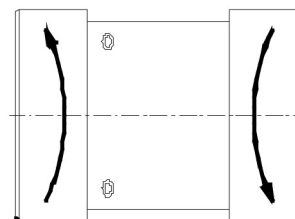
- Static torque sensor
- Compact structure, easy to install
- IP65 protection
- Used for measurement of static, non-continuous rotational torque force

| Cap(N.m) | D1 | D2 | D3 | C | H | H2 | H3 | H4 | M |
|----------------|-----|-------|------|-----|-----|------|----|----|-----------|
| 20,50,100N.m | 50 | 20H7 | 8H8 | 30 | 61 | 30.5 | 8 | 4 | M6deep8 |
| 200,300,500N.m | 73 | 30H7 | 10H8 | 45 | 82 | 41 | 8 | 4 | M10deep15 |
| 1,1.5,2kN.m | 107 | 45H7 | 10H8 | 71 | 107 | 54 | 8 | 4 | M16deep22 |
| 4,5,6kN.m | 141 | 60H7 | 10H8 | 95 | 130 | 65 | 8 | 4 | M20deep25 |
| 10kN.m | 205 | 120H7 | 10H8 | 155 | 170 | 85 | 12 | 8 | M24deep35 |

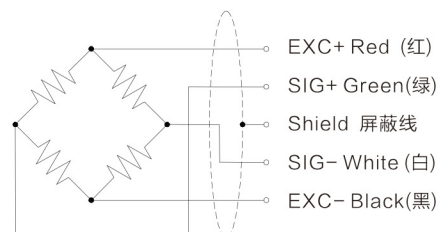
◆ 参数 Specifications 技术指标/Technique

| | | |
|------------|------------------------|---|
| 额定容量 | Capacity | 0.2,0.52,5,10,20,50,100,200N.m 0.2,0.3,0.5,1,1.5, 2,4,5,6,10kN.m |
| 输出灵敏度 | Rated output | 2.0 ± 10% mV/V |
| 零点输出 | Zero balance | ± 2% F.S. |
| 非线性 | Non-linearity | 0.1% F.S. |
| 滞后 | Hysteresis | 0.1% F.S. |
| 重复性 | Repeatability | 0.05% F.S. |
| 蠕变 (30min) | Creep(30min) | 0.1% F.S. |
| 温度灵敏度漂移 | Temp.effect on output | 0.05% F.S./10°C |
| 零点温度漂移 | Temp.effect on zero | 0.05% F.S./10°C |
| 输入电阻 | Input impedance | 410 ± 20 Ω |
| 输出电阻 | Output impedance | 350 ± 10 Ω |
| 绝缘电阻 | Insulation | ≥ 5000 MΩ/100VDC |
| 激励电压 | Recommended excitation | 5~15V |
| 最大激励电压 | Maximum excitation | 20V |
| 温度补偿范围 | Compensated temp range | -10~60°C |
| 工作温度范围 | Operation temp range | -20~80°C |
| 安全超载 | Safe overload | 120% F.S. |
| 极限超载 | Ultimate overload | 150% F.S. |
| 电缆线尺寸 | Cable size | φ3 × 4000mm |
| 防护等级 | IP Class | P65 |

◆ 受力方式/Load Direction



◆ 配线图/ Wiring Code



新产品

压向传感器

拉压向传感器

压电力传感器

多维力传感器

称重传感器

张力传感器

螺纹力

扭矩传感器

其它定制力传感器

称重模块

仪表模块放大器